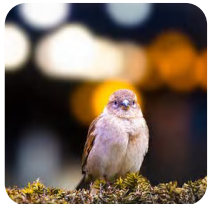




PATH-LITE IK10 Vandal Resistant Dark Sky Friendly

- ☀ Solar Bollard Light
- ☀ Solar Wall Mounted Light





IK10 Vandal Resistant
Dark Sky Friendly

PATH-LITE

Solar Bollard Light ☀ Solar Wall Mounted Light ☀

Path-Lite solar bollard light is the futuristic design for the public outdoor lighting application where the IK10 vandal-resistant is always required and essential. The mission of the Path-Lite product is to meet the lighting requirement of The Dark Sky Association which is meant to protect wild animals at night from light pollution with the minimum impact on human activities.

The 6.2W MONO cell solar panel is protected by the polycarbonate cover which reaches IK10 vandal-resistant performance. It offers up to 280lm high brightness. The motion sensor saves more energy after light works for 4 hours with a dimming function (30% + 100% when the sensor is triggered). It adopts a brand new and high-capacity 38.4WH LifePO4 battery to store the energy which offers the light to work for 3~4 nights without charging.

For our environment to protect native animals from blue-light harm and the unwanted glare of led lights. The optic lens with 120-degree made of tempered glass is adopted instead of PMMA material, Up to 99% of lighting output is falling down on the ground, and there is no light wasted no matter in the bigger angle direction or the horizontal direction with the UWLR of <1% of the lighting distribution.

The design lifetime of the Path-Lite solar light is more than 10 years without any maintenance and 5 years warranty. Besides the bollard design, the wall-mounted type of Path-Lite is also available which could be mounted on kinds of walls for houses, villas, and farms. Path-Lite solar lights are the most reliable solar lights to protect nature.

Light Performance

Product name	Path-Lite
Lighting	1.2W 280lm SMD3030 24pcs
Light head diameter	275mm
Fixture material	Aluminium die casting + PC + tempered Glass
Fixture color	Black RAL9011 Anthracite grey RAL 7016
CRI	>82
IP & IK rate	IP65 & IK10
CCT range	3000K 4000K 6000K
Beam angle	120 degree

LifePO4 Battery

Battery type	Brand new LifePO4 32700 6000mA 3.2V
Battery capacity	38.4WH 3.2V
Battery lifetime	6000 cycles @ D.O.D 80%
Charge & Discharge time	4.5 hours & >36 hours
Working temp.	-15 C ~ 70 C
Battery autonomy	3 - 4 days with motion sensor

Solar Panel

Peak Power	6.2W
Rated Voltage	5V
Cell Type	MONO crystallinesilicion
Cell Efficiency (%)	>22.5%
Lifetime	>20 years

Control System

Control method	Automatic dusk to dawn
Default working mode	4H 100% + 10H 30% +100% at detection
Max PV power	20W
Max load power	5W
Sensor type	PIR motion sensor
System voltage	3.2V
Detection distance	8 meters max
Detection angle	120 degree
Working temp.	-15 C ~ 70 C

Package

Item name	Path-Lite Solar Bollard Light
Light Dimension	φ275 * H900mm
Light head package	280*280*250mm
Pillar package	115*115*690mm
N.W / G.W (one set)	8.50KG / 9.60KG



Item name	Path-Lite Solar Wall Light
dimension	320*285*260mm
Box dimension	320*285*260mm
Qty/CTN	4pcs/CTN
N.W / G.W (one set)	8.50KG / 9.60KG



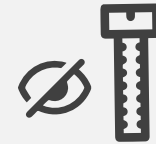
Product Feature



IK10 vandal resistant
for outdoor lighting



Wild animals friendly
without lighting pollution



Hidden base with inner screw
more elegant & neat finishing



36 hours backup
with fully charged battery



LED power is automatically
adjusted to save energy.



High luminous flux output
up to 220lm per watt



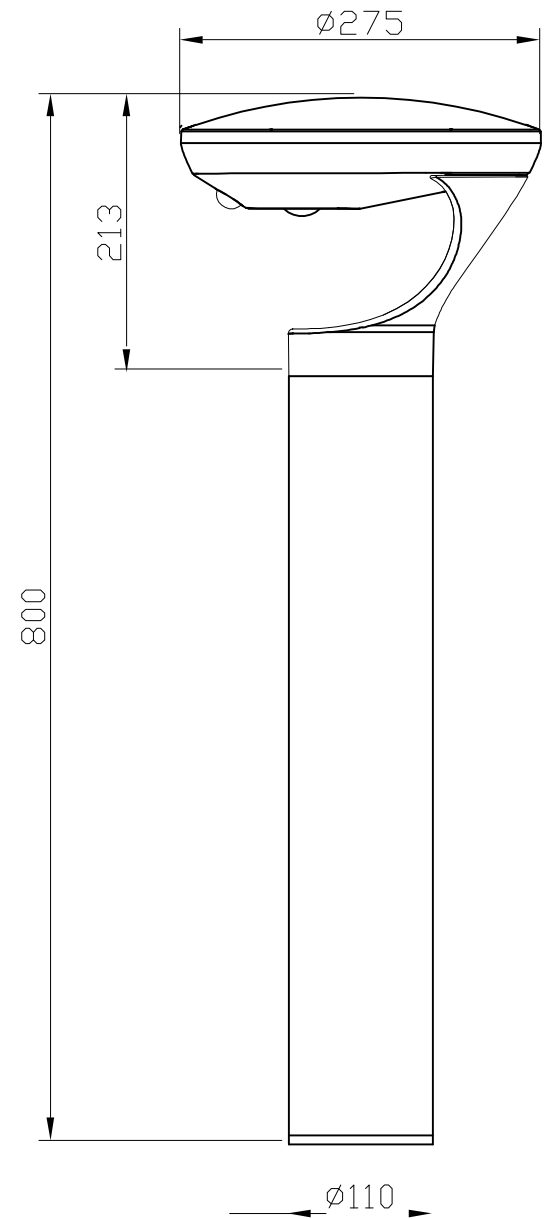
LiFePO4 battery inside
more than 10 years lifetime

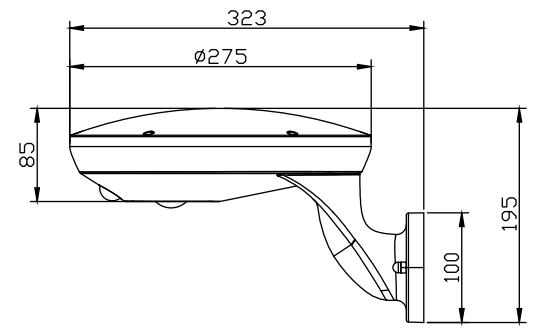
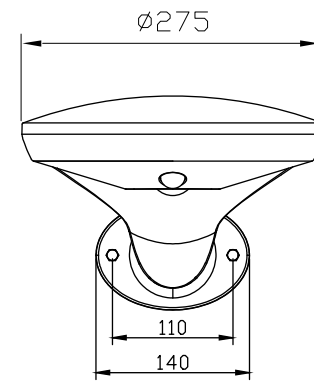


Equipped PIR motion
sensor to save energy



Dusk to Dawn
auto ON/OFF





Structure Design

Path-Lite solar lawn light adopts a compact structure design, which has the characteristics of simple installation and beautiful appearance.

The connection between the lamp head and the lamp pole, and the connection between the lamp pole and the base adopts a threaded design. After installation, the lamp head and the lamp pole are fixed by a fixing screw. Played a good anti-theft effect. All accessories are made of die-cast aluminum, which is firm and strong. The threaded design is also used between the base and the light pole. When installing, first fix the base to the ground with 4 M6 explosive screws, then twist the lamp to the base through the thread, and finally use a screw to connect the base to the light. The column is locked. All the screws are invisible, meet a very good anti-theft standard, beautiful and elegant, suitable for high-end lighting projects.

